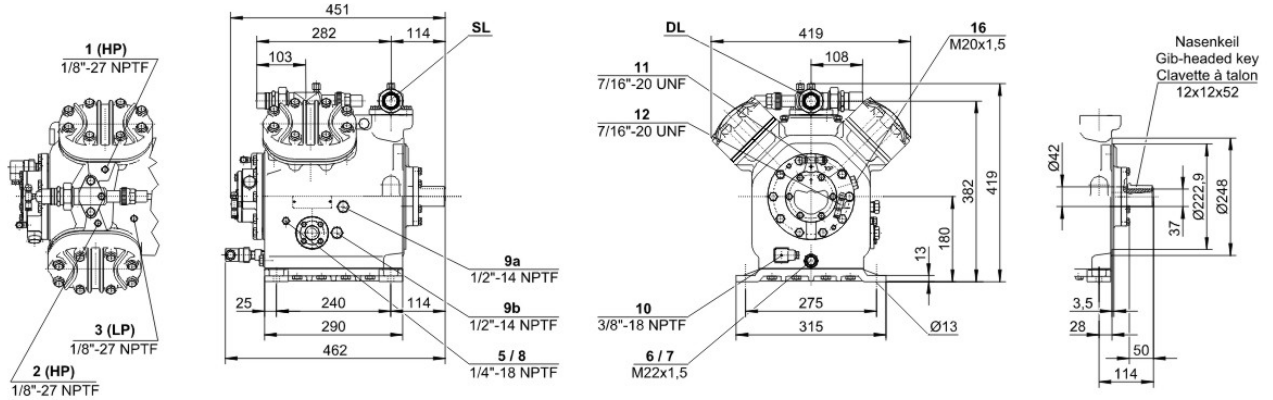




Technical Data: 4P.2Y-K

Dimensions and Connections



Technical Data

Technical Data

Displacement (1450 RPM 50Hz)	47,14 m3/h
Displacement (1750 RPM 60Hz)	56,9 m3/h
No. of cylinder x bore x stroke	4 x 55 mm x 57 mm
Allowed speed range	750 .. 1750 1/min
Weight	77 kg
Max. pressure (LP/HP)	19 / 25 bar
Connection suction line	35 mm - 1 3/8"
Connection discharge line	28 mm - 1 1/8"
Oil type R134a/R407C/R404A/R507A/R407A/R407F	tc<55°C: BSE32 / tc>55°C: BSE55 (Option)
Oil type R22 (R12/R502)	B5.2 (Standard)

Extent of delivery (Standard)

Oil charge	4,0 dm3
Protective charge	Standard
Suction shut-off valve	Standard
Discharge shut-off valve	Standard

Available Options

Coupling (...-K) w. A/C + medium	KK411 [<11kW] / KK420 [<22kW] (Option)
Coupling (...-K) w. low temp.	KK415 [<7.5kW] / KK425 [<22kW] (Option)
Coupling housing	Option
Motor pulley (...-S)	190, 210, 230 mm (Option)
V-belts	3 x SPA (Option)
Discharge gas temperature sensor	Option (incl. INT69VS)
Start unloading	Option
Connection cooling water	R 1/2" (Option)
Capacity control	100-50% (Option)
Additional fan	Option
Water-cooled cylinder heads	Option
Oil service valve	Option
Crankcase heater	100 W (Option)
Oil pressure monitoring	MP54 (Option)
Kit for marine application	Option